

# PRODUCT INFORMATION PACKET

**marathon**<sup>®</sup>  
Motors

Model No: 5KC46LN0158X  
Catalog No: D1113  
3/4, 1725, DP, 56, 1/60/115/230  
Open Drip Proof (ODP)



Regal and Marathon are trademarks of Regal Beloit Corporation or one of its affiliated companies.

©2018 Regal Beloit Corporation, All Rights Reserved. MC017097E

**REGAL**<sup>®</sup>

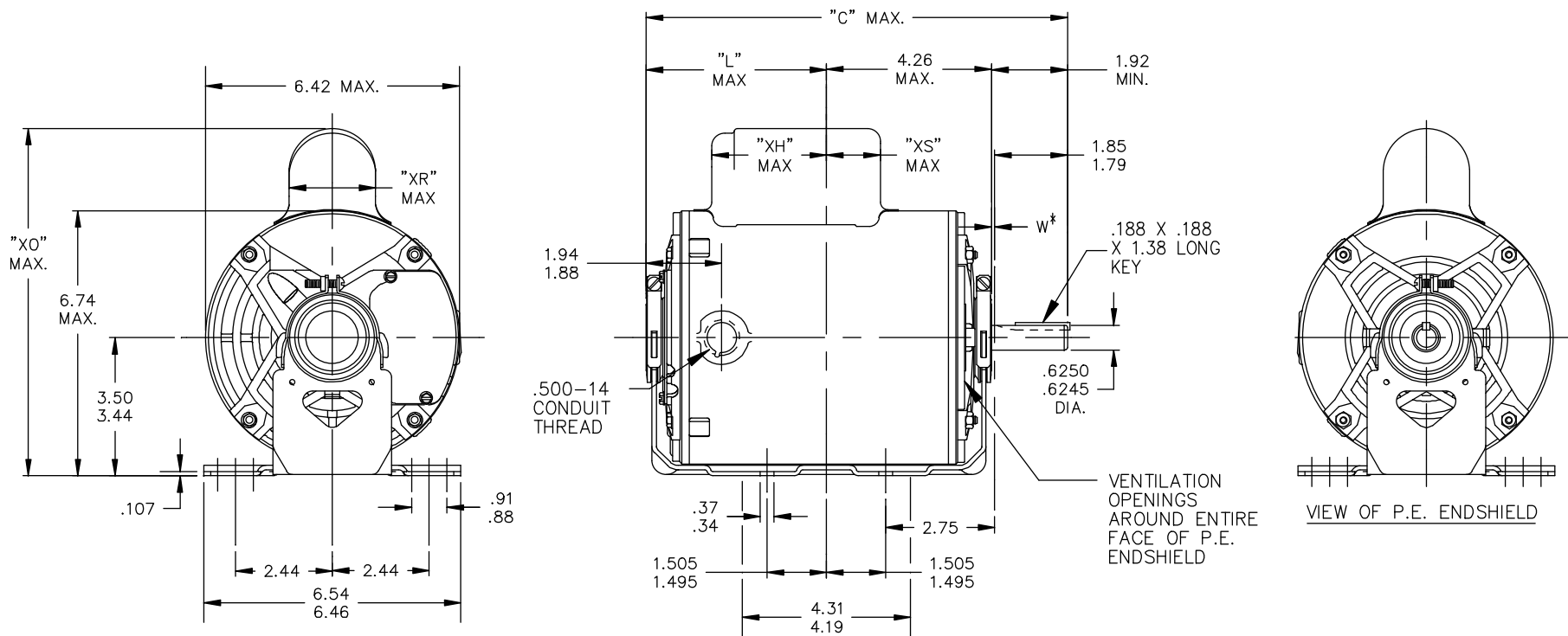
**Nameplate Specifications**

Output HP	<b>3/4 Hp</b>	Output KW	<b>0.56 kW</b>
Frequency	<b>60 Hz</b>	Voltage	<b>115/230 V</b>
Current	<b>13.2,6.6 A</b>	Speed	<b>1725 rpm</b>
Service Factor	<b>1.25</b>	Phase	<b>1</b>
Efficiency	<b>65.4 %</b>	Duty	<b>Continuous</b>
Insulation Class	<b>B</b>	KVA Code	<b>M</b>
Frame	<b>56</b>	Enclosure	<b>Drip Proof</b>
Overload Protector	<b>AUTO</b>	Ambient Temperature	<b>40 °C</b>
Drive End Bearing Size	<b>6203</b>	Opp Drive End Bearing Size	<b>6203</b>
UL	<b>Recognized</b>	CSA	<b>Yes</b>
CE	<b>N</b>		

**Technical Specifications**

Electrical Type	<b>Capacitor Start Induction Run</b>	Starting Method	<b>SM</b>
Poles	<b>4</b>	Rotation	<b>Counterclockwise/Clockwise</b>
Mounting	<b>Resilient Base</b>	Motor Orientation	<b>ANY</b>
Drive End Bearing	<b>BALL</b>	Opp Drive End Bearing	<b>BALL</b>
Frame Material	<b>Rolled Steel</b>	Overall Length	<b>10.78 in</b>
Frame Length	<b>6.55 in</b>	Shaft Diameter	<b>0.63 in</b>
Shaft Extension	<b>1.88 in</b>		
Outline Drawing	<b>52A107622P1</b>	Connection Diagram	<b>52A105383AA</b>

**This is an uncontrolled document once printed or downloaded and is subject to change without notice. Date Created: 10/08/2018**



CONTINUED ON 52A107799

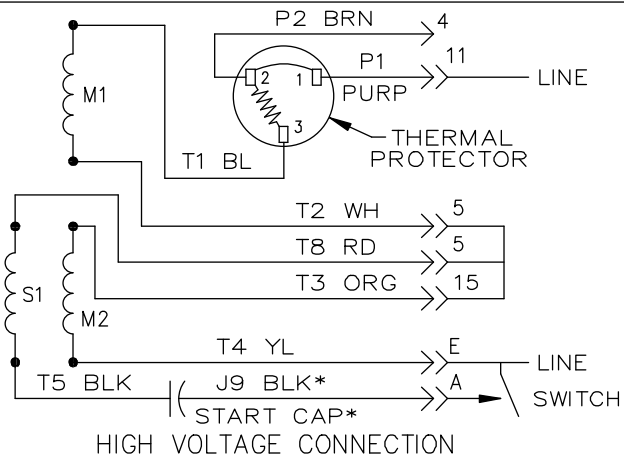
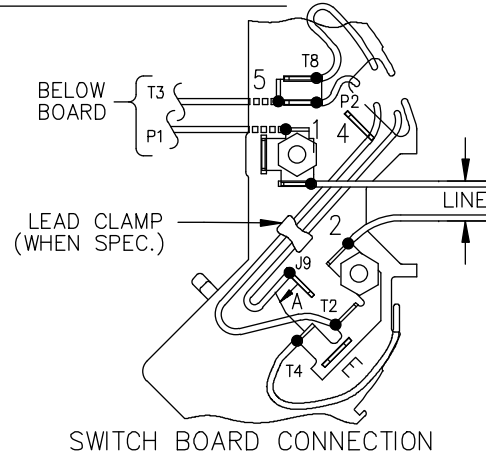
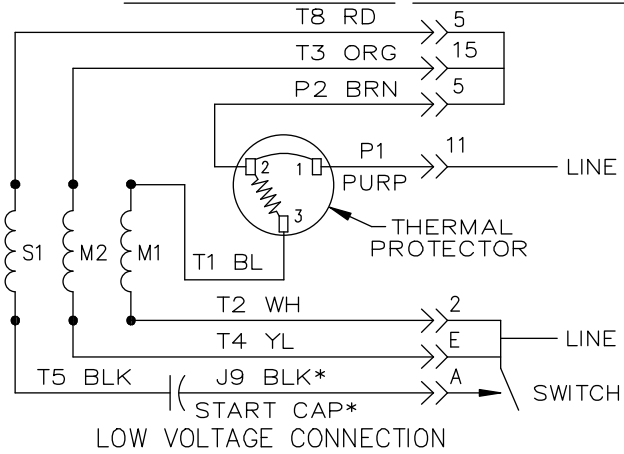
\*W IS A VARIABLE CLEARANCE DUE TO VARIATIONS IN PARTS AND ASSEMBLY

ALL DIMENSIONS ARE IN INCHES

8	KC	49	56	11.38	5.22	3.63	8.62	2.08	2.12		7.15
7	KC	46	56	10.78	4.62	2.18	8.94	2.40	2.36		6.55
6	KC	49	56	11.38	5.22	3.63	8.22	1.60	2.12		7.15
5	KC	46	56	10.78	4.62	3.03	8.22	1.60	2.73		6.55
4	KC	42	56	9.95	3.79	2.20	8.22	1.60	2.34		5.72
3	KC	49	56	11.38	5.22	3.63	8.94	2.40	2.12		7.15
2	KC	42	56	9.95	3.79	2.20	8.94	2.40	2.34		5.72
1	KC	46	56	10.78	4.62	3.03	8.94	2.40	2.73		6.55
P	TYPE	FR SIZE	NEMA FR.	"C"	"L"	"XH"	"XO"	"XR"	"XS"		MIN. SHELL

				TOLERANCES UNLESS SPECIFIED		DRAWN M.D.P 09/17/90	
				DEC.	INCHES	CHK M.D.P 09/17/90	
				.X	±.1	APPD	
				.XX	±.03	SCALE 3=8	
13	ADDED PART # 8 PER SAMPLE DS13-2295	UD 06/21/13	GRB	.XXX	±.005	TITLE OUTLINE GENERAL PURPOSE MOTOR DRIP PROOF	
12	CHG "XS" DIMENSION PER IS08-2395	MD 07/01/08		.XXXX	±.0005	REF	
NO.	REVISION	BY & DATE	CHK	ANG	±1/2'	PREV	
THIS DRAWING IN DESIGN AND DETAIL IS OUR PROPERTY AND MUST NOT BE USED EXCEPT IN CONNECTION WITH OUR WORK ALL RIGHTS OF DESIGN AND INVENTION ARE RESERVED THIS IS AN ELECTRONICALLY GENERATED DOCUMENT - DO NOT SCALE THIS PRINT				RFP	CAD FILE	52A107622	SIZE A
				DIST	DRAWING NO. 52A107622		REV. 13

EITHER ROTATION, DUAL VOLTAGE, TYPE KC OR KH, WITH THERMAL PROTECTION



NOTE #1 - START CAP & J9 WHEN SPECIFIED (\*). IF NO CAPACITOR (KH), CONNECT T5 DIRECTLY TO SWITCH (A). WHEN MORE THAN ONE CAPACITOR IS USED, CONNECT IN PARALLEL.

NOTE #2 - TO REVERSE ROTATION, INTER CHANGE RD(T8) AND BLK(J9-KC OR T5-KH) LEADS.

SWITCH REF. - 115D958AB	CONNECTION LABEL	CCW ROTATION: NP52X332051AA
		CW ROTATION: NP52X332051AC

NO.	REVISION	BY & DATE	CHK	TOLERANCES UNLESS SPECIFIED		FINISH	DRAWN M.D.P 06/29/87
				DEC.	INCHES		
				.X	±0.1	<b>REGAL-BELOIT CORPORATION</b>	CHK
				.XX	±0.02		TITLE CONNECTION DIAGRAM 30 FRAME SWITCH REDESIGN
5	ADDED CONNECTION LABEL PER ECO-0030779	UD 02/06/13	PKG	.XXX	±0.005	MAT'L.	
4	UPDATED PER ISO7-0150	MD 01/23/07		.XXXX	±0.0005		PREV
				ANG	±1.0	CAD FILE 52A105383AA SIZE A	
THIS DRAWING IN DESIGN AND DETAIL IS OUR PROPERTY AND MUST NOT BE USED EXCEPT IN CONNECTION WITH OUR WORK. ALL RIGHTS OF DESIGN AND INVENTION ARE RESERVED. THIS IS AN ELECTRONICALLY GENERATED DOCUMENT - DO NOT SCALE THIS PRINT.				RFP			DRAWING NO. 52A105383AA
				DIST			